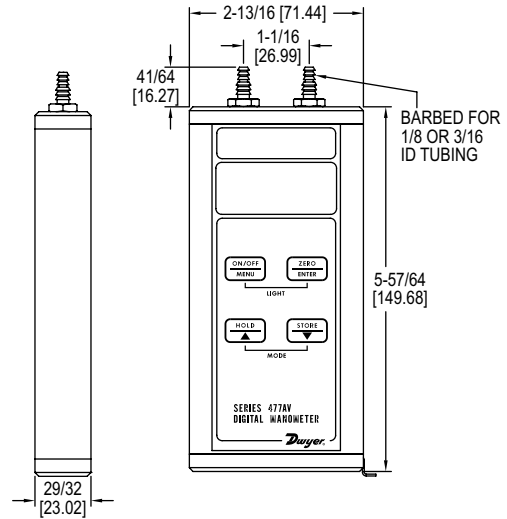


# HANDHELD DIGITAL MANOMETER

Measures Pressure, Flow and Velocity;  $\pm 0.5\%$  Accuracy

CALIBRATION SERVICES AVAILABLE



The **Series 477AV Handheld Digital Manometer** is now available with pressure, flow, and velocity measurements along with a number of other convenient features. The built-in air velocity and flow calculations provide accuracy and conserve time and error associated with manual calculations. Also featured on this unit are adjustable zero and span values for calibrating in the field, as well as a damping feature to compensate for the fluctuating of readings.

**BENEFITS/FEATURES**

- Calculates and displays air velocity and volumetric air flow
- Rugged aluminum case protects instrument from damage during transport/use
- 9 selectable English and metric engineering units
- Large, easy to read display with backlight for use in dark areas
- Stores up to 40 readings with minimum, maximum, and average statistics
- Convenient all-in-one air velocity kit option available

**APPLICATIONS**

- Air flow monitoring, when used with a Dwyer® pitot tube
- Duct static pressure
- Commercial air balancing
- Building-zone pressure

**SPECIFICATIONS**

**Service:** Air and compatible gases.  
**Wetted Materials:** Consult factory.  
**Accuracy:**  $\pm 0.5\%$  FS, 60 to 78°F (15.6 to 25.6°C);  $\pm 1.5\%$  FS from 32 to 60°F and 78 to 104°F (0 to 15.6°C and 25.6 to 40.0°C).  
**Pressure Hysteresis:**  $\pm 0.1\%$  FS.  
**Pressure Limits:** See chart.  
**Temperature Limits:** 0 to 140°F (-17.8 to 60°C).  
**Compensated Temperature Limits:** 32 to 104°F (0 to 40°C).  
**Storage Temperature Limits:** -4 to 176°F (-20 to 80°C).  
**Display:** 0.42" (10.6 mm) 4 digit LCD.  
**Resolution:** See chart.

**Units of Pressure:** in w.c., ft w.c., in Hg, psi, oz/in<sup>2</sup>, mm w.c., cm w.c., mm Hg, mbar, Pa, kPa, hPa.  
**Units of Velocity:** fpm, fps, mph, m/h, m/s, k/h, knot.  
**Units of Flow:** cfm, m<sup>3</sup>/h, m<sup>3</sup>/s.  
**Power Requirements:** 9 V alkaline battery, installed non-functional, user replaceable.  
**Process Connections:** Two barbed connections for use with 1/8" (3.18 mm) or 3/16" (4.76 mm) ID tubing. Two compression fittings for use with 1/8" (3.18 mm) ID x 1/4" (6.35 mm) OD tubing for 477AV-7 and 477AV-8 only.  
**Weight:** 10.2 oz (289 g).  
**Compliance:** CE.

**MODEL CHART**

Model	Pressure Range	Velocity Range		Available Pressure Units													Maximum Pressure
		fpm	m/s	psi	in Hg	kPa	in w.c.	mm Hg	mbar	mm w.c.	Pa	ft w.c.	oz/in <sup>2</sup>	hPa	cm w.c.		
477AV-000	0 to 1.000 in w.c.	4004	20.34	-	0.0736	0.2491	1.000	1.868	2.491	25.40	249.1	0.0833	0.5780	2.491	2.540	5 psig	
477AV-00	0 to 4.000 in w.c.	8009	40.69	0.1445	0.2942	0.996	4.000	7.473	9.96	101.6	996	0.3333	2.312	9.964	10.16	5 psig	
477AV-0	0 to 10.00 in w.c.	12.66k	64.33	0.3613	0.7355	2.491	10.00	18.68	24.91	254.0	2491	0.8333	5.780	24.91	25.40	5 psig	
477AV-1	0 to 20.00 in w.c.	17.91k	90.97	0.7225	1.471	4.982	20.00	37.36	49.82	508.0	4982	1.667	11.56	49.82	50.80	10 psig	
477AV-2	0 to 40.00 in w.c.	25.33k	128.7	1.445	2.942	9.96	40.00	74.73	99.6	1016	9964	3.333	23.12	99.64	101.6	10 psig	
477AV-3	0 to 200.0 in w.c.	56.63k	287.7	7.225	14.71	49.82	200.0	373.6	498.2	5080	-	16.67	115.6	498.2	508.0	30 psig	
477AV-4	0 to 10.00 psi	66.62k	338.4	10.00	20.36	68.95	276.8	517.1	689.5	7031	-	13.07	160.0	689.5	703.1	30 psig	
477AV-5	0 to 20.00 psi	94.22k	478.6	20.00	40.72	137.9	553.6	1034	1379	-	-	46.13	320.0	1379	1406	60 psig	
477AV-6	0 to 30.00 psi	115.4k	586.2	30.00	61.08	206.9	830.4	1551	2069	-	-	69.20	480.0	2068	2109	60 psig	
477AV-7	0 to 100.0 psi	210.7k	1070	100.0	203.6	689.5	2768	5171	6895	-	-	230.7	1600	6895	7031	150 psig	
477AV-8	0 to 150.0 psi	258.0k	1311	150.0	305.4	1034	4152	7757	-	-	-	346.0	2400	-	-	200 psig	

**OPTIONS**

To order add suffix:	Description
-NIST	NIST traceable calibration certificate
Example:	477AV-1-NIST

**ACCESSORIES**

Model	Description
A-47X-BOOT	Protective magnetic rubber boot
A-402A	Carrying case; tough gray nylon pouch protects any Series 477AV Manometer; double zippered for quick and easy access, with a belt loop that snaps closed; 7-1/2"H x 3"W x 2-1/4"D (191 x 76 x 57 mm)



A-402A



A-47X-BOOT  
(manometer not included)