

Small

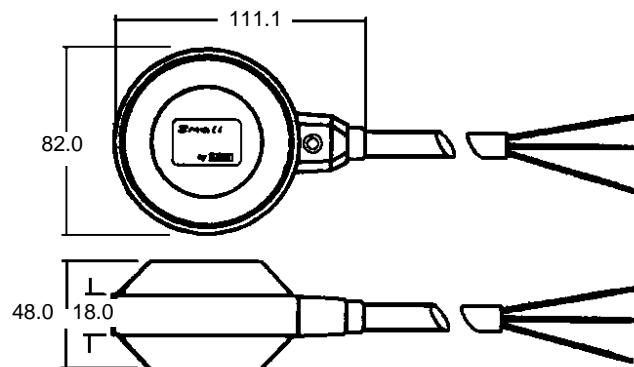
Electromechanical level regulator

The Small level regulator is a float switch, which allows electrical equipment to start and stop automatically (usually pumps, but also electric control valves, alarms, etc.) when a prefixed level has been reached.

The most essential characteristics of this device are that it is small, highly reliable, and with a high switching potential since it is equipped with micro-switches that have high commuting features 21(8)A 250V or 20(6)A 400V / 10(8)A 250V. In the first case, you will find that the external marking is 10(8)A 250V whereas in the second case, 10(6)A 400V / 10(8)A 250V Model 53 with a 3X1 output cable can be used for the emptying or filling function according to the cables that have been connected. For the other models, at the moment of making the order, it is necessary to specify which function is required.



Type	53	2C+T	S06-10-400	53/100	53/110
Output cable	PVC 3X1	H07RN-F 3G1	H07RN-F 3G1	SJTW-A 3X16AWG	SJTW-A 3X16AWG
Code	SPM0006sb0	SEM0006ob0	REM0006tb0	SCM0006kn0	SCM0006ga0
Output cable	A07RN-F 3X1				
Code	SGM0006sb0				
Features					
Electrical features	21(8)A 250V ~	21(8)A 250V -	20(6)A -400V - 10(8)A -250V -	21(8)A 250V -	21(8)A 250V -
Approved certificates	CE 10(8)A 250V ~	ENEC/CE 10(8)A 250V ~	ENEC/CE 10(6)A 400V ~ 10(8)A-250V ~	UL 2HP - 250V ~ 1HP - 125 V ~	CSA 2HP - 250V ~ 1HP - 125V ~
Operating temp.	0° ÷ + 50° C	0° ÷ + 50° C	0° ÷ + 50° C	0° ÷ + 60° C	0° ÷ + 60° C
Storage temperature	-10°C ÷ + 60° C	-10°C ÷ + 60° C	-10°C ÷ + 60° C	-20°C ÷ + 80° C	-20°C ÷ + 80° C
Pollution index	IP68	IP68	IP68	IP68	IP68
Switch angle	± 45°	± 45°	± 45°	± 45°	± 45°
Dimensions	82 x 111 x 48 mm	82 x 111 x 48 mm	82 x 111 x 48 mm	82 x 111 x 48 mm	82 x 111 x 48 mm
Weight	107 gr.	111 gr.	111 gr.	134 gr.	134 gr.
Volume	225 cm ³	225 cm ³	225 cm ³	225 cm ³	225 cm ³ 2
Specific weight	0.491	0.491	0.492	0.595	0.595
Buoyancy	114 gr.	114 gr.	114 gr.	91 gr.	91 gr.
Max depth level	1 BAR	1 BAR	1 BAR	1 BAR	1 BAR
Housing	Non-toxic Polypropylene (PP)	Non-toxic Polypropylene (PP)	Non-toxic Polypropylene (PP)	Polypropylene UL	Polypropylene CSA
Colouring	Non-toxic	Non-toxic	Non-toxic	Non-toxic	Non-toxic
Function class	II	I	I	I	I
note	Also available with H07RN-F 2x1 & PVC 2x1 cable. In this case please specify if needed for filling or emptying function.	Also available with H07RN-F 3G1OIL RESISTANT cable. In this case please specify if needed for filling or emptying function.		When ordering please specify if needed for filling or emptying function.	



MAC 3

Code: 305/1a