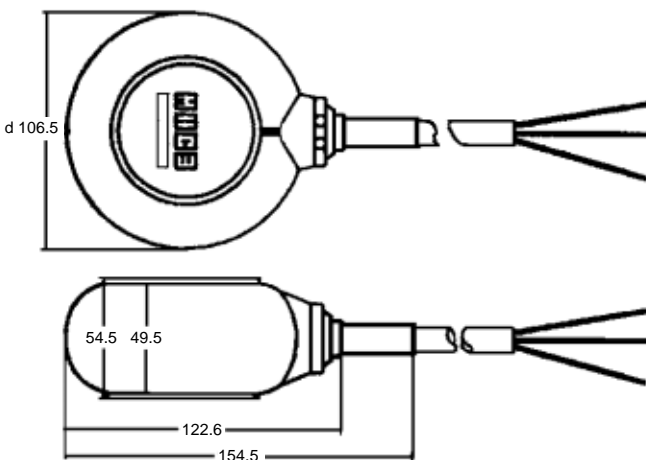
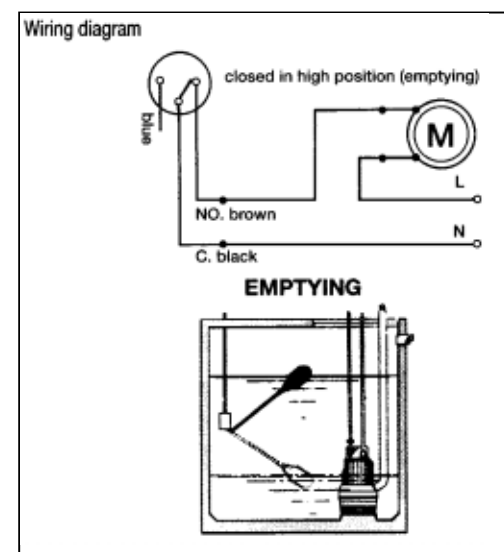
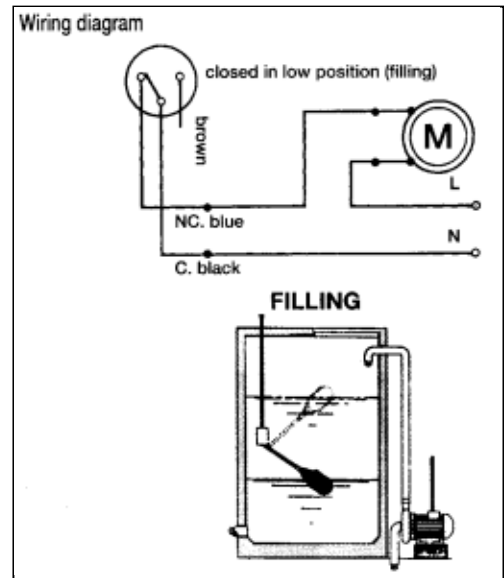


# Mac 3

## Electromechanical level regulator

The Mac 3 level regulator is a float switch which allows electrical equipment to start and stop automatically (usually pumps, but also electric control valves, alarms, etc.) when a prefixed level has been reached. The most essential characteristic of this product is its high reliability and its shape which has no edges, for which it is particularly suitable for sewage water. Also of great interest is the fact that it is made with a double liquid proof chamber which assures the maximum reliability of the inside mechanism.

Type	M04-10	M10-VD-2
Output cable	PVC3X1	H07RN-F 3G1
Code	MPM0006GB0	MHM0006WG0
Output cable	A07RN-F 3X1	H07RN-F 4G1
Code	MGM0006GB0	MZM0006WG0
<b>Features</b>		
Electrical features	16(4)A 250V ~	16(4)A 250V ~
Approved certificates	ENEC/CE	ENEC/CE
	10(4)A 250V ~	10(4)A 250V ~
Operating temp.	0° ÷ + 50° C	0° ÷ + 50° C
Storage temperature	-10°C ÷ + 60° C	-10°C ÷ + 60° C
Pollution index	IP68	IP68
Switch angle	± 45°	± 45°
Dimensions	106 x 154 x 54 mm	106 x 154 x 54 mm
Weight	250 gr.	265 gr.
Volume	430 cm <sup>3</sup>	430 cm <sup>3</sup>
Specific weight	0.581	0.616
Buoyancy	180 gr.	165 gr.
Max depth level	1 BAR	1 BAR
Housing	Non-toxic Polypropylene (PP)	Non-toxic Polypropylene (PP)
Colouring	Non-toxic	Non-toxic
Function class	II	I
note	Also available with H07RN-F 2x1 cable. In this case please specify if needed for filling or emptying function.	Also available with H07RN-F 3G1OIL RESISTANT cable. In this case please specify if needed for filling or emptying function.



**MAC 3**

Code: 301/1a