

## positive displacement flow meters

# M4 – 1/2” meters with mechanical register

The M4 is a low to medium flow range model. It is a compact meter that has the ability to handle a wide range of fluid viscosities with exceptional levels of repeatability and durability.

### Features

- Compact size.
- Easy to read and operate mechanical register.
- Flexibility of installation options (e.g. can be mounted horizontally or vertically; no flow conditioning required).
- Low pressure drop allows for economical pump selection or gravity flow applications.
- Meter construction enables fast and easy on-site servicing without removal from application.
- Meter accuracy is verified by a factory calibration check after which an individual metrology report is issued.
- Meter design minimises the number of wearable and replaceable parts and extends product life.



M4ARM-X



Mechanical Register



MH450 Industrial Register

### Specification:

Model	M4
Meter Type	Meter With Mechanical Register
Meter Body Material	Aluminium / 316 Stainless Steel / Bronze
Wetted Components:	
Rotor Material	PPS Only
Shafts	316 Stainless Steel
O'ring	NBR (Nitrile)
Flow Rate Ranges (Litres Per Minute/US Gallons Per Minute)	
Above 5 cPs	2 To 30 / 0.5 To 8
Below 5 cPs	3 To 25 / 0.8 To 6.60
Accuracy- Within (Of Reading)	+/- 1%
Repeatability	0.03%
Maximum Viscosity (Of Standard Model)	1000 Centipoise
Maximum Operating Pressure	3400kpa/ 34 Bar / 500 Psi
Max. Operating Temperature	80°C / 176°F, High Temp Option 120°C / 248°F
Recommended Mesh Strainer Size	60 Mesh

### Port Size

To order flowmeter you must replace 'X' with the relevant number. This number will determine the following specifications:

Port Size:	Calibrated In:
1 = 1/2" BSP (F) ports	Litres
2 = 1/2" NPT (F) ports	US Gallons

PPS = Polyphenylene Sulfide Resins

# M4 – 1/2” meters with mechanical register

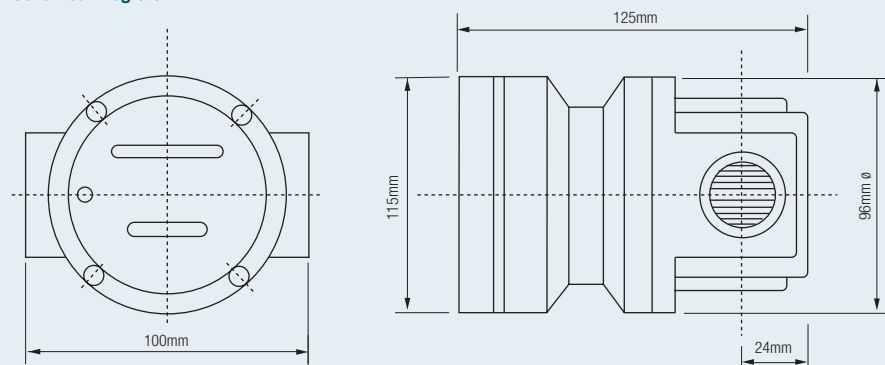
## Options and accessories

M4 - 1/2" METERS WITH MECHANICAL REGISTER	M4ARM-X	M4SRM-X	M4ARMI-X	M4SRMI-X
FKM O-Ring	○	○	○	○
FEP O-Ring	○	○	○	○
EPDM O-Ring	○	○	○	○
High Temp Rotors	○	○	○	○
High Viscosity Rotors	○	○	○	○
Hall Effect Sensor	-	-	-	-
Reed Switch	-	-	-	-
Solvent Kit	○	○	○	○
Hastalloy C Shafts	-	-	-	-
Protective Boot	+	+	-	-
Remote Mounted LC Register	-	-	-	-
Heating Jacket	-	-	-	-
4-20mA Module	-	-	-	-
Protective Boot	○	○	-	-

● Standard ○ Optional - Not Available + Accessory

## Dimensions

### Mechanical Register



### MH450 Industrial Register

