

## positive displacement flow meters

# M4 – 1/2” pulse and LC display meters

The M4 is a low to medium flow range model. It is a compact meter that has the ability to handle a wide range of fluid viscosities with exceptional levels of repeatability and durability.

### Features

- Compact size.
- Two independent pulse units.
- Flexibility of installation options (e.g. can be mounted horizontally or vertically; no flow conditioning required).
- Low pressure drop allows for economical pump selection or gravity flow applications.
- Meter construction enables fast and easy on-site servicing without removal from application.
- Meter design minimises the number of wearable and replaceable parts and extends product life.
- Meter accuracy is verified by a factory calibration check after which an individual metrology report is issued.
- All LC Displays meet European CE directive for EMC.
- Display/Pulse Version has IP65/NEMA9 protection.
- Intrinsically safe LC Deluxe & Standard Displays. Certificate of conformity number PTB Nr. Ex-93.C.4033x & KEMA O5ATEX1168X

### Specification:

Model	M4
Meter Type	Pulse / Standard LC Display / Deluxe LC Display/MR100 Display
Meter Body Material	Aluminium / 316 Stainless Steel / Bronze
Wetted Components:	
Rotor Material	PPS / 316 Stainless Steel
Shafts	316 Stainless Steel
O'ring	NBR (Nitrile)
Flow Rate Ranges (Litres Per Minute/US Gallons Per Minute)	
Above 5 cPs	2 To 30 / 0.5 To 8
Below 5 cPs	3 To 25 / 0.8 To 6.60
Accuracy- Within (Of Reading)	+/- 0.5%
Repeatability	0.03%
Maximum Viscosity (Of Standard Model)	1000 Centipoise (Optional Hi Viscosity Rotors)
Maximum Operating Pressure	5500kpa/ 800 Psi/ 55 Bar
Pulsar Type	Hall Effect or Reed Switch or Combination HE / RS
Pulses Per Litre/Us Gallon	112/424
Max. Operating Temperature	80°C / 176°F, High Temp Option 120°C / 248°F
Recommended Mesh Strainer Size	60 Mesh

\*Note: For doubled pulse output or SAA flame proof certification use M5 series models (contact for more info)



M4ARP-X



Standard LC Display



Deluxe LC Display



MR100

### Port Size

To order flowmeter you must replace 'X' with the relevant number. This number will determine the following specifications:

Port Size:	Calibrated In:	Electrical Connections
1 = 1/2" BSP (F) ports	Litres	20mm (F) Conduit Thread
2 = 1/2" NPT (F) ports	US Gallons	1/2" NPT

PPS = Polyphenylene Sulfide Resins

### Special Models

M4SSPH-X	High Pressure Version
Threaded Versions Only	200 Bar / 2900 PSI Working Pressure

Available Options: Pulse LC Displays - Hi Viscosity Rotors



# M4 – 1/2” pulse and LC display meters

## Options and accessories

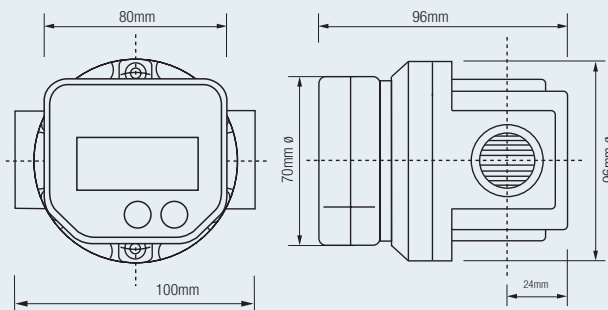
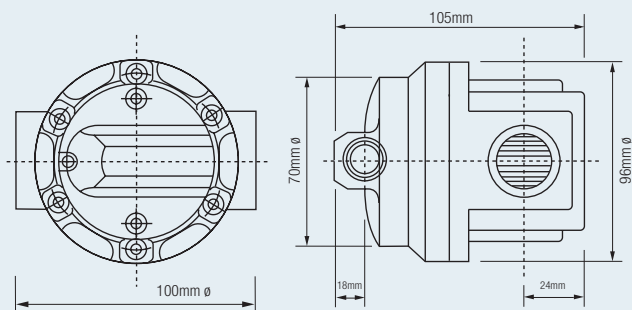
M4 - 1/2” PULSE AND LC DISPLAY METERS	M4ARX-X	M4ASX-X	M4SRX-X	M4SSX-X	M4BRX-X
FKM O-Ring	○	○	○	○	○
FEP O-Ring	○	○	○	○	○
EPDM O-Ring	○	○	○	○	○
High Temp Rotors	○	●	○	●	○
High Viscosity Rotors	○	○	○	○	○
Hall Effect Sensor	○	○	○	○	○
Reed Switch	●	●	●	●	●
Solvent Kit	-	-	-	-	-
Hastalloy C Shafts	-	-	-	-	-
Protective Boot Deluxe LCD	-	+	+	+	○
Protective Boot Standard Display	-	+	+	+	○
Remote Mounted LC Display	+	+	+	+	+
Heating Jacket	-	-	-	-	-
4-20mA Module (Meter or Remote Mount)	+	+	+	+	+

● Standard ○ Optional - Not Available + Accessory

## Dimensions

Standard display H 122mm x W 137mm.  
Deluxe display H 122mm x W 137mm.

MR100 display H 70mm x W 80mm.



M4SSPH high pressure version

