

## positive displacement flow meters

# WM100 – 4” pulse meters M100 – 4” pulse and LC display meters

Suitable for fuels, lubricants and corrosive fluids (stainless steel only) to a viscosity of 1000cPs, the M100 is a 100mm (4”), high flow, oval gear flowmeter and is capable of measuring fluid flows of up to 1200LPM. The M100 is accurate to +/- 0.5% and provides exceptional levels of reliability and durability.

### Features

- Easy to read and operate, resettable LC display options available
- Flexibility of installation options (eg: can be mounted horizontally or vertically - no flow conditioning required)
- Low pressure drop allows for economical pump selection or gravity flow applications
- Meter construction enables fast and easy on-site servicing without removal from application
- Meter accuracy is verified by a factory calibration check after which an individual metrology report is issued
- Meter design minimises the number of wearable and replaceable parts and extends product life
- Available with 4” ANSI 150lb, JIS10K and DIN 16 flanges (modular construction) or 3” screwd BSP (F) or NPT (F)
- LCD optional displays meet European CE directive
- Standard/deluxe displays/MR100 and pulse version have IP65/NEMA9 protection
- Intrinsically safe LC display options available.
- 12 month warranty



M100AAP-X



Standard LC Display



Deluxe LC Display



MR100

### Specifications

Model	M100/WM100
Meter Type	Pulse / Standard LC Display / Deluxe LC Display
Meter Body Material	Aluminium / Stainless Steel / Bronze
Wetted Components:	
Rotor Material	Aluminium / Stainless Steel
Shafts	316 Stainless Steel
O'ring	NBR (Nitrile)
Flow Rate Ranges (Litres Per Minute/US Gallons Per Minute)	
Above 5 Cps	120 To 1200 / 32 - 317
Below 5 Cps	200 To 1200 / 53 - 317
Accuracy- Within (Of Reading)	+/- 0.5%
Repeatability	0.03%
Maximum Viscosity (Of Standard Model)	1000cPs (> 1000 cPs Hi Vis Rotors Available)
Maximum Operating Pressure	1200kpa/175psi/12bar
Pulser Type	Hall Effect or Reed Switch or Combination HE / RS
Pulses Per Litre/Us Gallons	2.32 / 8.782
Max. Operating Temperature	AL 80°C/176°F St St 120°C/248°F
Recommended Mesh Strainer Size	40

### Port Size

To order flowmeter you must replace 'X' with the relevant number. This number will determine the following specifications:

Port Size:	Calibrated and Display In:	Electrical Conduit Connection:
3 = 4” ANSI 150lb Flange	Litres	20mm (F)
4 = 4” ANSI 150lb Flange	US Gallons	1/2 NPT (F)
5 = 100mm DIN 16 Flange	Litres	20mm (F)
13 = 100mm JIS 10K Flange	Litres	20mm (F)
14 = 3” ANSI 150LB Flange	Litres	20mm (F)
15 = 3” ANSI 150LB Flange	US Gallons	1/2 NPT (F)
16 = 3” BSP (F) Port	Litres	20mm (F)
17 = 3” NPT (F) Port	US Gallons	1/2 NPT (F)

Note: See relevant “Flange Technical Information”

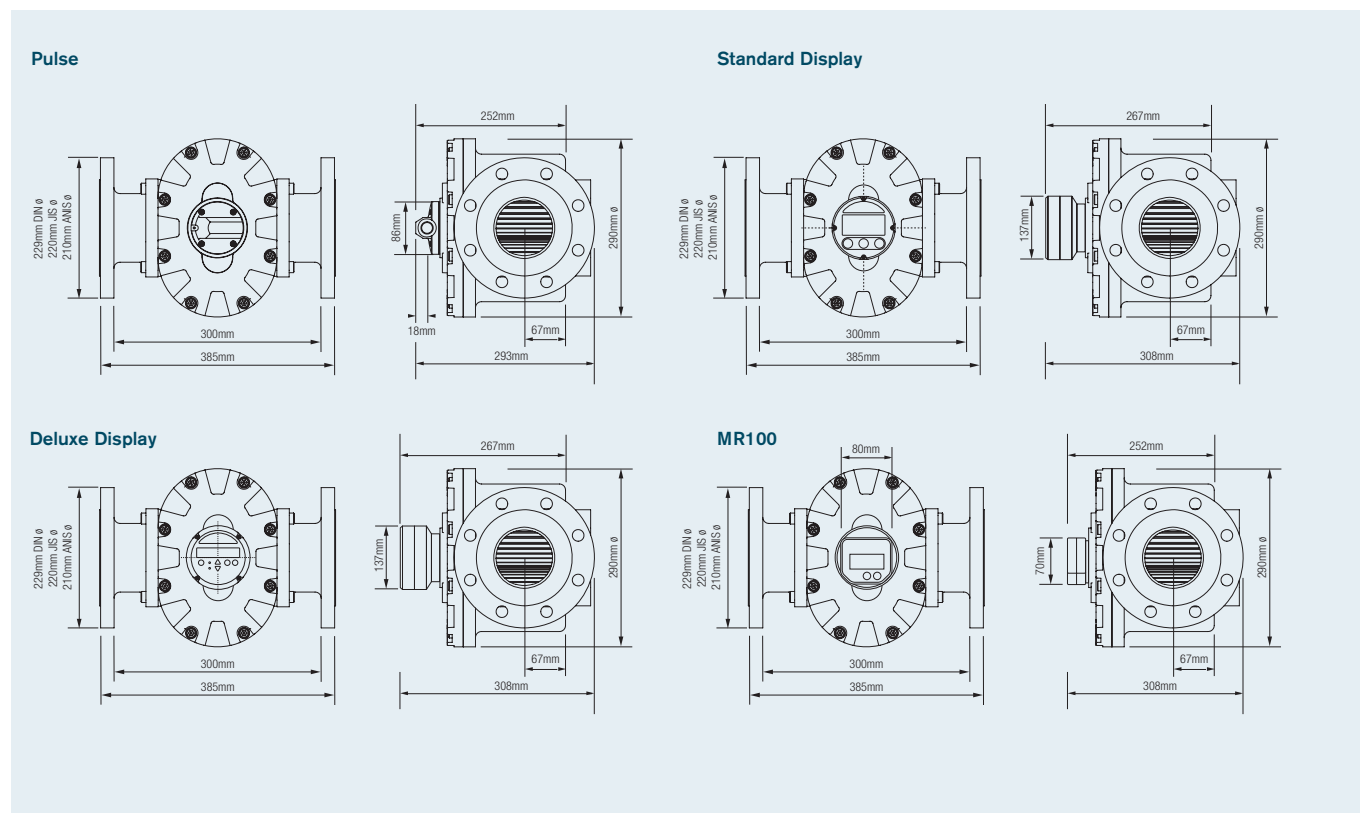
positive displacement flow meters

# WM100 – 4” pulse meters M100 – 4” pulse and LC display meters

M100 - 3" PULSE AND LC DISPLAY METERS	M100AAX-X	M100SSX-X	M100BAX-X
FKM O-Ring	○	○	○
FEP O-Ring	○	○	○
EPDM O-Ring	○	○	○
High Temp Rotors	-	-	-
High Viscosity Rotors	○	●	○
Hall Effect Sensor	○	○	○
Reed Switch	●	●	●
Solvent Kit	-	-	-
Hastalloy C Shafts	-	-	-
Analogue Register	-	-	-
Pulser Kit P500	-	-	-
Remote Mounted LC Display	+	+	+
Heating Jacket	-	-	-
4-20ma Module	+	+	+
Protection Boot for LC Displays	+	+	+

● Standard ○ Optional - Not Available + Accessory

## Dimensions



Macnaught Pty Ltd reserves the right to modify or alter product materials, dimensions, design and construction, when necessary, to improve the performance of our products. Please check with your local distributor or Macnaught to confirm current specifications of our products.