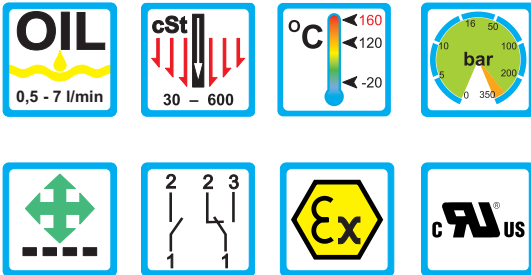


Flow Monitor

DKM-2



Range of Application

Operation

- Float measuring principle

Application

- Central lubrication
- Circulation lubrication
- Transformers

Features

- Universal orientation
- High reliability
- Viscosity compensated
- High switch accuracy
- Infinitely variable switchpoint adjustment through user
- EX-version to ATEX available
- Threaded connection, special threads on request
- High pressure resistance

Installation hints

- The operating instruction for DKM must be observed!
- Download: www.meister-flow.com

Operating Data

Operating pressure max	300 bar (MS) / 350 bar (VA)
Pressure drop	0,02 - 0,2 bar
Viscosity range	30 cSt to 600 cSt
Maximum temperature	120 °C (optional 160 °C)
Accuracy	±10 % of full scale

Measuring Ranges

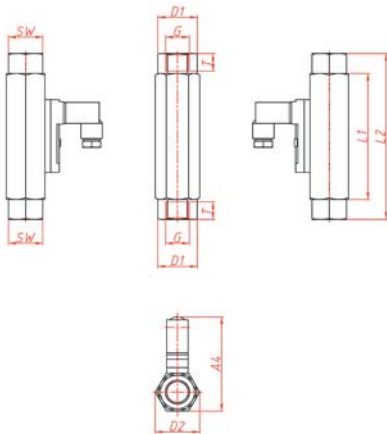
Type	Switch range for oil, density 0,9 kg/dm ³ (1)		
	[l/min]	[gph]	[gpm]
DKM-2/2	0,5 - 1,6	8,0 - 25,5	
DKM-2/3	0,8 - 3	13,0 - 48,0	
DKM-2/7	2 - 7	32,0 - 111,0	

(1) The specified data are switch-off points, other switch ranges on request

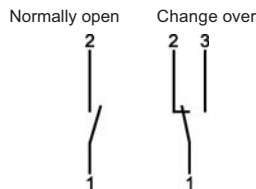


Technical Data

Mechanical drawing



Connection diagram



Electrical Data

Change over ⁽³⁾ 250V • 1,5A • 50VA ⁽²⁾

Normally open 230V • 3A • 60VA

ATEX II 2 G Ex mb II T6 & ATEX II 2 D Ex tD A21 IP67 T80 °C

ATEX II 2 G Ex mb II T5 & ATEX II 2 D Ex tD A21 IP67 T100 °C

Change over 250V • 1A • 30VA

Normally open 250V • 2A • 60VA

Change over M 12x1 (-20 °C - 85 °C) 125V • 1,5A • 50VA ⁽²⁾

Normally open M 12x1 (-20 °C - 85 °C) 125V • 3A • 60VA

Change over SPS ⁽³⁾ 250V • 1A • 60VA

Ingress Protection:

IP65: plug connection DIN 43650 Form C or plug connection M 12x1

IP67: 1 m sealed in cable, (with EEx-version 2 m)

Output signal

The contact opens / changes when the flow decreases below the set point.

Power supply

Not required (potential free reed contacts)

Plug types

Other plug types oder cable lengths on request

⁽²⁾ Minimum load 3 VA

⁽³⁾ Only with plug connection

Summary of types

Type:	Overall dimensions [mm]										Weight approx. [g]		
	SW	L1	L2	D1	G	T	D2	DN	A1	A2		A3	A4
DKM-2/2	24	90	98	27,5	1/4"	10	31	8	-	-	-	67,6	400
	24	90	118,6	27,5	3/8"	11	31	10	-	-	-	67,6	450
	27	90			1/2"	14	31	15	-	-	-	67,6	350
DKM-2/3	27	90			1/2"	14	31	15	-	-	-	67,6	350
DKM-2/7													

Material

Brass version

Wetted parts:

Spring: 1.4571
 Gaskets: FPM
 (optional NBR, EPDM) ⁽⁴⁾
 Magnets: Hard ferrite
 Housing: Brass nickel-plated

all other wetted parts: Brass

Stainless steel version

Wetted parts:

Spring: 1.4571
 Gaskets: FPM
 (optional NBR, EPDM) ⁽⁴⁾
 Magnets: Hard ferrite
 Housing: 1.4571

all other wetted parts: 1.4571

⁽⁴⁾ Other gasket materials on request.

