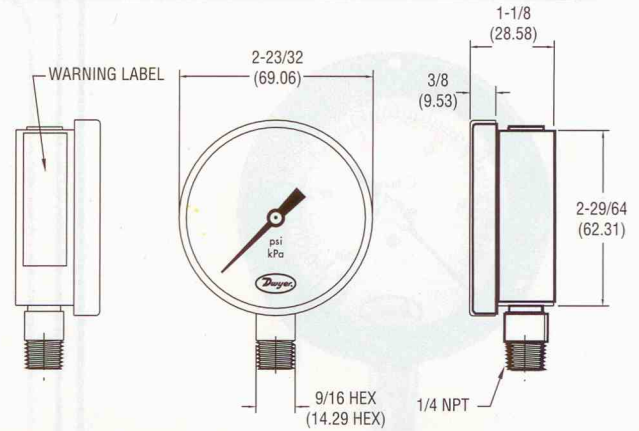


Series
UGA

2.5" Utility Pressure Gauge

2.5% Accuracy, Brass Wetted Parts



The Series UGA Gauges have dual English/metric scales with $\pm 2.5\%$ accuracy. The Series UGA gauges are designed with brass wetted parts, and can withstand ambient temperatures up to 60°C and process temperatures up to 120°C . A wide variety of ranges are available in this economical gauge from full vacuum, compound to 140,000 kPa.

APPLICATIONS

Pneumatic, Hydraulic, Portable Equipment, Pumps, Compressors.

SPECIFICATIONS

Service: Compatible gases and liquids.

Wetted Materials: Brass.

Housing: Black powder coated steel.

Accuracy: $\pm 2.5\%$ between 10-90% of span.

Pressure Limit: Full scale value.

Temperature Limits:

Ambient: -20 to 60°C ;

Process: 120°C max.

Size: 2.5" (63 mm).

Process Connections: 1/4" male BSP.

Enclosure Rating: IP55.

Weight: 0.15 kg.

MODEL CHART

Model Number	Ranges	Model Number	Ranges
UGA-D0122B	-100 to 0 kPa (0 to 30" Hg VAC)	UGA-D1622B	0 to 25,000 kPa (0 to 3,500 psi)
UGA-D0222B	0 to 100 kPa (0 to 15 psi)	UGA-D1722B	0 to 40,000 kPa (0 to 6,000 psi)
UGA-D0322B	0 to 160 kPa (0 to 20 psi)	UGA-D1822B	0 to 60,000 kPa (0 to 8,000 psi)
UGA-D0422B	0 to 250 kPa (0 to 35 psi)	UGA-D1922B	0 to 80,000 kPa (0 to 11,000 psi)
UGA-D0522B	0 to 400 kPa (0 to 60 psi)	UGA-D2022B	0 to 100,000 kPa (0 to 15,000 psi)
UGA-D0622B	0 to 600 kPa (0 to 80 psi)	UGA-D2122B	-100 to 100 kPa (30" Hg to 15 psi)
UGA-D0722B	0 to 800 kPa (0 to 110 psi)	UGA-D2222B	-100 to 160 kPa (30" Hg to 20 psi)
UGA-D0822B	0 to 1,000 kPa (0 to 150 psi)	UGA-D2322B	-100 to 250 kPa (30" Hg to 35 psi)
UGA-D0922B	0 to 1,600 kPa (0 to 230 psi)	UGA-D2422B	-100 to 400 kPa (30" Hg to 60 psi)
UGA-D1022B	0 to 2,500 kPa (0 to 350 psi)	UGA-D2522B	-100 to 1,000 kPa (30" Hg to 150 psi)
UGA-D1122B	0 to 4,000 kPa (0 to 600 psi)	UGA-D2622B	-100 to 1,600 kPa (30" Hg to 230 psi)
UGA-D1222B	0 to 6,000 kPa (0 to 800 psi)	UGA-D2722B	-100 to 2,500 kPa (30" Hg to 350 psi)
UGA-D1322B	0 to 8,000 kPa (0 to 1,100 psi)	UGA-D2822B	-100 to 14,000 kPa (30" Hg to 2,000 psi)
UGA-D1422B	0 to 10,000 kPa (0 to 1,500 psi)		
UGA-D1522B	0 to 16,000 kPa (0 to 2,300 psi)		