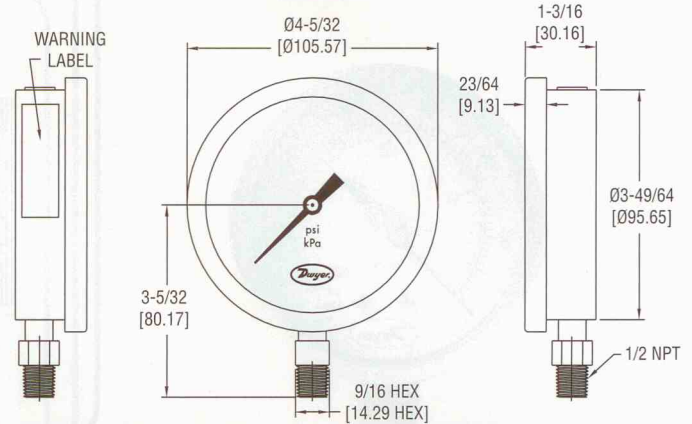


Series
SGS

4" Stainless Steel Pressure Gauge

1.6% Full Scale Accuracy, Brass Wetted Parts, Dry or Glycerin Filled



The Series SGS Gauges have dual English/metric scales with $\pm 1.6\%$ full scale accuracy. Series SGS gauges are designed with 304 stainless steel housings and brass wetted parts. Units can withstand ambient temperatures up to 65°C and process temperatures up to 125°C . These gauges may be easily liquid filled in the field without the need for a separate kit. A wide selection of ranges are available from full vacuum, compound to 140,000 kPa.

SPECIFICATIONS

Service: Compatible gases and liquids.

Wetted Materials: Brass for ranges 7,000 kPa; 316L stainless steel for ranges greater than 7,000 kPa.

Housing: 304 stainless steel.

Accuracy: $\pm 1.6\%$ full scale.

Pressure Limits: 125% of full scale for ranges up to 10,000 kPa; 115% for 10,000 kPa and greater.

Temperature Limits:

Ambient: -20 to 65°C ;

Process: 65°C max. - Filled;

125°C max. - Dry.

Size: 4" (100 mm).

Process Connection: 1/2" male BSP.

Enclosure Rating: IP55.

Weight: 0.49 kg.

APPLICATIONS

Pneumatics, Hydraulics, Pumps, Compressors, Diesel Engines.

MODEL CHART

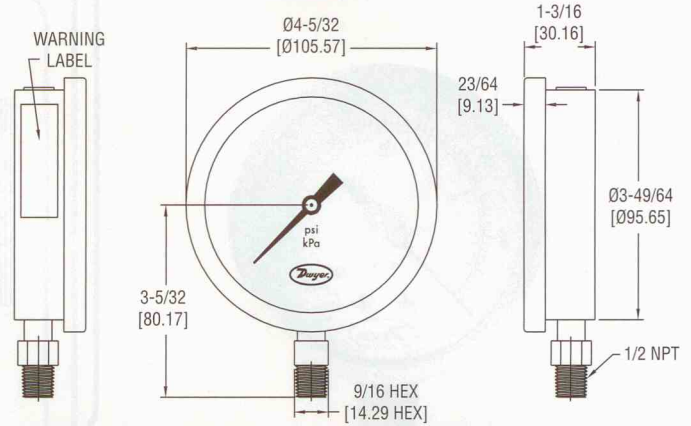
| Model Number | Ranges | Model Number | Ranges |
|--------------|----------------------------------|--------------|--|
| SGS-F0124B | -100 to 0 kPa (0 to 30" Hg VAC) | SGS-F1624B | 0 to 25,000 kPa (0 to 3,500 psi) |
| SGS-F0224B | 0 to 100 kPa (0 to 15 psi) | SGS-F1724B | 0 to 40,000 kPa (0 to 6,000 psi) |
| SGS-F0324B | 0 to 160 kPa (0 to 20 psi) | SGS-F1824B | 0 to 60,000 kPa (0 to 8,000 psi) |
| SGS-F0424B | 0 to 250 kPa (0 to 35 psi) | SGS-F1924B | 0 to 80,000 kPa (0 to 11,000 psi) |
| SGS-F0524B | 0 to 400 kPa (0 to 60 psi) | SGS-F2024B | 0 to 100,000 kPa (0 to 15,000 psi) |
| SGS-F0624B | 0 to 600 kPa (0 to 80 psi) | SGS-F2124B | -100 to 100 kPa (30" Hg to 15 psi) |
| SGS-F0724B | 0 to 800 kPa (0 to 110 psi) | SGS-F2224B | -100 to 160 kPa (30" Hg to 20 psi) |
| SGS-F0824B | 0 to 1,000 kPa (0 to 150 psi) | SGS-F2324B | -100 to 250 kPa (30" Hg to 35 psi) |
| SGS-F0924B | 0 to 1,600 kPa (0 to 230 psi) | SGS-F2424B | -100 to 400 kPa (30" Hg to 60 psi) |
| SGS-F1024B | 0 to 2,500 kPa (0 to 350 psi) | SGS-F2524B | -100 to 1,000 kPa (30" Hg to 150 psi) |
| SGS-F1124B | 0 to 4,000 kPa (0 to 600 psi) | SGS-F2624B | -100 to 1,600 kPa (30" Hg to 230 psi) |
| SGS-F1224B | 0 to 6,000 kPa (0 to 800 psi) | SGS-F2724B | -100 to 2,500 kPa (30" Hg to 350 psi) |
| SGS-F1324B | 0 to 8,000 kPa (0 to 1,100 psi) | SGS-F2824B | -100 to 14,000 kPa (30" Hg to 2,000 psi) |
| SGS-F1424B | 0 to 10,000 kPa (0 to 1,500 psi) | | |
| SGS-F1524B | 0 to 16,000 kPa (0 to 2,300 psi) | | |

* Suffix -PY for Liquid Filled

Series
SGS

4" Stainless Steel Pressure Gauge

1.6% Full Scale Accuracy, Brass Wetted Parts, Dry or Glycerin Filled



The Series SGS Gauges have dual English/metric scales with $\pm 1.6\%$ full scale accuracy. Series SGS gauges are designed with 304 stainless steel housings and brass wetted parts. Units can withstand ambient temperatures up to 65°C and process temperatures up to 125°C . These gauges may be easily liquid filled in the field without the need for a separate kit. A wide selection of ranges are available from full vacuum, compound to 140,000 kPa.

SPECIFICATIONS

Service: Compatible gases and liquids.

Wetted Materials: Brass for ranges 7,000 kPa; 316L stainless steel for ranges greater than 7,000 kPa.

Housing: 304 stainless steel.

Accuracy: $\pm 1.6\%$ full scale.

Pressure Limits: 125% of full scale for ranges up to 10,000 kPa; 115% for 10,000 kPa and greater.

Temperature Limits:

Ambient: -20 to 65°C ;

Process: 65°C max. - Filled;

125°C max. - Dry.

Size: 4" (100 mm).

Process Connection: 1/2" male BSP.

Enclosure Rating: IP55.

Weight: 0.49 kg.

APPLICATIONS

Pneumatics, Hydraulics, Pumps, Compressors, Diesel Engines.

MODEL CHART

| Model Number | Ranges | Model Number | Ranges |
|--------------|----------------------------------|--------------|--|
| SGS-F0124B | -100 to 0 kPa (0 to 30" Hg VAC) | SGS-F1624B | 0 to 25,000 kPa (0 to 3,500 psi) |
| SGS-F0224B | 0 to 100 kPa (0 to 15 psi) | SGS-F1724B | 0 to 40,000 kPa (0 to 6,000 psi) |
| SGS-F0324B | 0 to 160 kPa (0 to 20 psi) | SGS-F1824B | 0 to 60,000 kPa (0 to 8,000 psi) |
| SGS-F0424B | 0 to 250 kPa (0 to 35 psi) | SGS-F1924B | 0 to 80,000 kPa (0 to 11,000 psi) |
| SGS-F0524B | 0 to 400 kPa (0 to 60 psi) | SGS-F2024B | 0 to 100,000 kPa (0 to 15,000 psi) |
| SGS-F0624B | 0 to 600 kPa (0 to 80 psi) | SGS-F2124B | -100 to 100 kPa (30" Hg to 15 psi) |
| SGS-F0724B | 0 to 800 kPa (0 to 110 psi) | SGS-F2224B | -100 to 160 kPa (30" Hg to 20 psi) |
| SGS-F0824B | 0 to 1,000 kPa (0 to 150 psi) | SGS-F2324B | -100 to 250 kPa (30" Hg to 35 psi) |
| SGS-F0924B | 0 to 1,600 kPa (0 to 230 psi) | SGS-F2424B | -100 to 400 kPa (30" Hg to 60 psi) |
| SGS-F1024B | 0 to 2,500 kPa (0 to 350 psi) | SGS-F2524B | -100 to 1,000 kPa (30" Hg to 150 psi) |
| SGS-F1124B | 0 to 4,000 kPa (0 to 600 psi) | SGS-F2624B | -100 to 1,600 kPa (30" Hg to 230 psi) |
| SGS-F1224B | 0 to 6,000 kPa (0 to 800 psi) | SGS-F2724B | -100 to 2,500 kPa (30" Hg to 350 psi) |
| SGS-F1324B | 0 to 8,000 kPa (0 to 1,100 psi) | SGS-F2824B | -100 to 14,000 kPa (30" Hg to 2,000 psi) |
| SGS-F1424B | 0 to 10,000 kPa (0 to 1,500 psi) | | |
| SGS-F1524B | 0 to 16,000 kPa (0 to 2,300 psi) | | |

* Suffix -PY for Liquid Filled