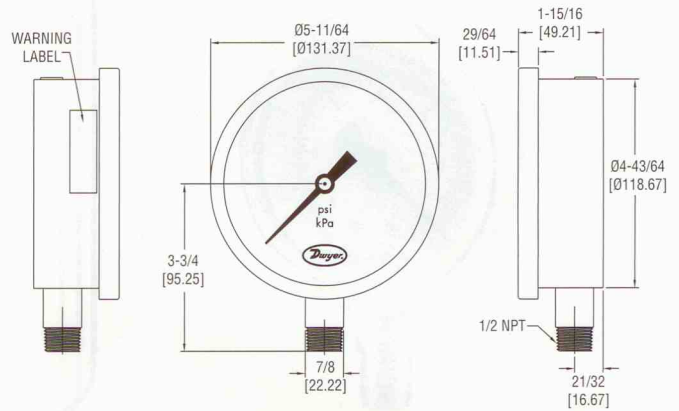




Series
SGL

4" Stainless Steel Industrial Pressure Gauge

1% Full Scale Accuracy, 316 Stainless Steel Wetted Parts, IP65 Dry or Glycerin Filled



The Series SGL Gauges have dual English/metric scales with $\pm 1.0\%$ full scale accuracy. For excellent chemical compatibility, the Series SGL gauges are designed with 304 stainless steel housings and 316L stainless steel wetted parts. Units can withstand ambient temperatures up to 65°C and process temperatures up to 300°C . Series SGL gauges may be easily liquid filled in the field without the need for a separate kit. A wide selection of ranges are available from full vacuum, compound to 140,000 kPa.

SPECIFICATIONS

- Service:** Compatible gases & liquids.
- Wetted Materials:** 316L stainless steel.
- Housing:** 304 stainless steel.
- Accuracy:** $\pm 1.0\%$ full scale.
- Pressure Limit:** 130% of full scale for ranges up to 60,000 kPa; 115% for 60,000 and greater.
- Temperature Limits:**
 - Ambient: -20 to 65°C ;
 - Process: 65°C max. - Filled;
 - 300°C max. - Dry.
- Size:** 4.0" (100 mm).
- Process Connections:** 1/2" male BSP.
- Enclosure Rating:** IP55.
- Weight:** 0.70 kg.

APPLICATIONS

Cryogenics, Pharmaceutical, Chemical, Petrochemical, Food and Beverage, Conventional and Nuclear Power, Pumps, Presses, Diesel Engines, Turbines and Compressors.

MODEL CHART

Model Number	Ranges	Model Number	Ranges
SGL-F0124B	-100 to 0 kPa (0 to 30" Hg VAC)	SGL-F1624B	0 to 25,000 kPa (0 to 3,500 psi)
SGL-F0224B	0 to 100 kPa (0 to 15 psi)	SGL-F1724B	0 to 40,000 kPa (0 to 6,000 psi)
SGL-F0324B	0 to 160 kPa (0 to 20 psi)	SGL-F1824B	0 to 60,000 kPa (0 to 8,000 psi)
SGL-F0424B	0 to 250 kPa (0 to 35 psi)	SGL-F1924B	0 to 80,000 kPa (0 to 11,000 psi)
SGL-F0524B	0 to 400 kPa (0 to 60 psi)	SGL-F2024B	0 to 100,000 kPa (0 to 15,000 psi)
SGL-F0624B	0 to 600 kPa (0 to 80 psi)	SGL-F2124B	-100 to 100 kPa (30" Hg to 15 psi)
SGL-F0724B	0 to 800 kPa (0 to 110 psi)	SGL-F2224B	-100 to 160 kPa (30" Hg to 20 psi)
SGL-F0824B	0 to 1,000 kPa (0 to 150 psi)	SGL-F2324B	-100 to 250 kPa (30" Hg to 35 psi)
SGL-F0924B	0 to 1,600 kPa (0 to 230 psi)	SGL-F2424B	-100 to 400 kPa (30" Hg to 60 psi)
SGL-F1024B	0 to 2,500 kPa (0 to 350 psi)	SGL-F2524B	-100 to 1,000 kPa (30" Hg to 150 psi)
SGL-F1124B	0 to 4,000 kPa (0 to 600 psi)	SGL-F2624B	-100 to 1,600 kPa (30" Hg to 230 psi)
SGL-F1224B	0 to 6,000 kPa (0 to 800 psi)	SGL-F2724B	-100 to 2,500 kPa (30" Hg to 350 psi)
SGL-F1324B	0 to 8,000 kPa (0 to 1,100 psi)	SGL-F2824B	-100 to 14,000 kPa (30" Hg to 2,000 psi)
SGL-F1424B	0 to 10,000 kPa (0 to 1,500 psi)		
SGL-F1524B	0 to 16,000 kPa (0 to 2,300 psi)		

* Suffix -PY for Liquid Filled