

PRESSURE LIMITING VALVES

The series PLV Pressure Limiting Valves automatically protects pressure instruments from damage due to an excessive pressure surge, and then automatically restores the instrument on line, when pressure falls below the valve's pre-set value.

These valves respond instantaneously, making it impossible to over-pressure the instrument.

They can be factory set by Ambit, or field set by a technician, and are available in either brass or stainless steel bodies with various adjustable set ranges from 70 to 70,000 kPa. They can also be set to protect instruments with vacuum ranges against positive pressures.

Below are our most commonly used models. Other models with higher pressure settings, BSPT or BSPP connections, Monel wetted parts, Oxygen cleaned, etc are available.

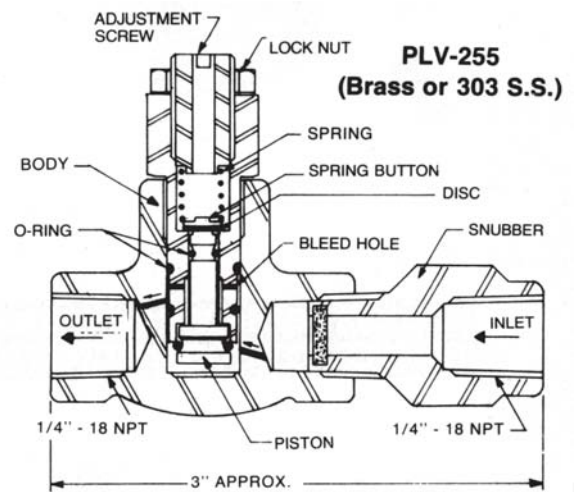
GENERAL USE

MODEL	MATERIAL	CONNECTIONS
PLV-255B	Brass	1/4"NPT female
PLV-255S	300 series st/st	1/4"NPT female
PLV-2550	316 st/st	1/2"NPT female

SPECIFICATIONS

Pressure set ranges...	Style	Range (kPa)
	Style 3	70 to 1000
	Style 4	1000 to 3400
	Style 5	3400 to 6800
	Style 6	6800 to 20,400

Inlet Operating Pressure...	20,400 kPa (Brass)	34,500 kPa (st/st)
Proof Pressure.....	41,000 kPa (Brass)	68,900 kPa (st/st)
Minimum Burst Pressure.	100,000 kPa (Brass)	170,000 kPa (st/st)
Seal material.....	Buna N (Standard), Viton, EPDM	
Temperature Range.....	Buna N -10/+120°C Viton -10/+170°C	
Accuracy.....	+/- 10% of set pressure	



The above models come complete with a porous metal snubber

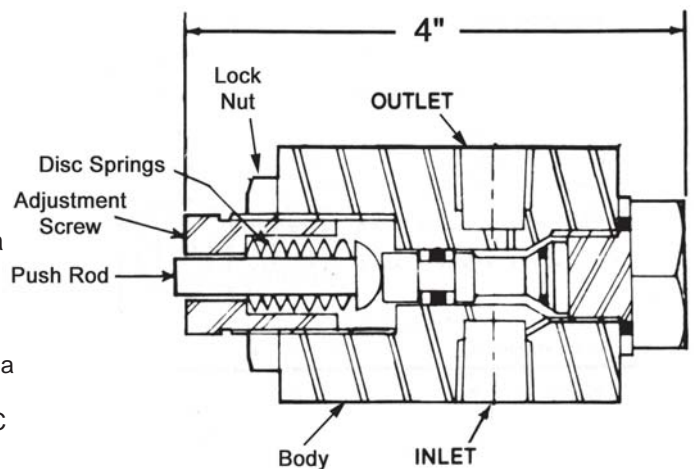
HIGH PRESSURE

MODEL	MATERIAL	CONNECTIONS
PLV-5460	300 series st/st	1/4"NPT female
PLV-5500	300 series st/st	1/2"NPT female

SPECIFICATIONS

Pressure set ranges...	Style	Range (kPa)
	Style L	700 to 5500
	Style M	5500 to 17,200
	Style N	17,200 to 68,900

Maximum Working Pressure...	Model PLV-5460 : 82,500 kPa	Model PLV-5500 : 170,000 kPa
Seal material.....	Buna N (Standard), Viton	
Temperature Range.....	Buna N -10/+120°C Viton -10/+170°C	
Accuracy.....	+/- 10% of set pressure	



SNUBBERS

PROTECT YOUR PRESSURE INSTRUMENTS FROM:

Pressure Surges
Shock waves
Fluid hammer

Snubbers are typically used in-line with a pressure gauge to suppress line pulsations and keep the gauge pointer steady. A snubber will substantially increase the life of a pressure gauge where there is pulsation in the line.

POROUS METAL

Model No.	Threads	Material	Max Pressure
12A	1/8"	Alum.	20,500kPa
12B	1/8"	Brass	20,500kPa
12S	1/8"	304SS	34,500kPa
25B	1/4"	Brass	68,900kPa
25S	1/4"	304SS	103,000kPa
25M	1/4"	Monel	103,000kPa
25S6	1/4"	316SS	103,000kPa

Model No.	Threads	Material	Max Pressure
40B	3/8"	Brass	68,900kPa
40S	3/8"	304SS	103,000kPa
50B	1/2"	Brass	68,900kPa
50S	1/2"	304SS	103,000kPa
50M	1/2"	Monel	103,000kPa
50S6	1/2"	316SS	103,000kPa

Recommended Porosities

Type of Service

Highly viscous fluids (over 500 SSU)
Oil (225 to 500 SSU)
Water and light oils (30 to 225 SSU)
Vapour and low viscosity fluids (under 30 SSU)
Air or other gases
Pulsating gas
Extreme gas pulsation

Porosity Code

C
D
E
F
G
HX
HXX

Micron Rating

75
40 - 45
10
7
2 - 5
1
0.5



EXTERNALLY ADJUSTABLE UNIVERSAL PULSATION DAMPENER

The Universal Pulsation Dampener has a unique combination of a ball check arrangement and fine thread choke valve. It smooths out even minor line pulsation and can be used to isolate the gauge for servicing or replacement.



ORDERING CODE

Model Example UPD250-S-6P

UPD150

UPD250

Material

Brass: B

Stainless Steel: S

Connections

1/4" NPT 4N

1/4" BSPT 4T

1/4" BSPP 4P

3/8" NPT 6N

3/8" BSPT 6T

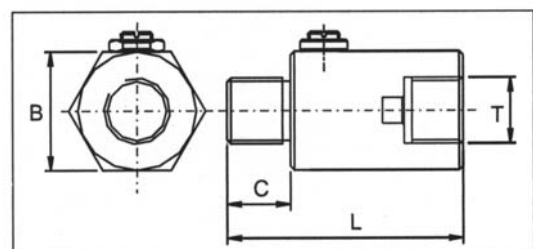
3/8" BSPP 6P

1/2" NPT 8N

1/2" BSPT 8T

1/2" BSPP 8P

Model No.	UPD150	UPD250	UPD250
Thread Size (T)	1/4"	3/8"	1/2"
Thread Length (C)	13mm	16mm	20mm
Total Length (L)	45mm	60mm	60mm
Body Size (B)	17mm hex	30mm hex	30mm hex
Max. Pressure	16,000kPa	25,000kPa	25,000kPa
Max. Temperature	120 deg C		
Sealing	Nitrile rubber O ring with Teflon back-up washer		
Connections	Male for inlet and female for outlet		



-
*
*
*
*