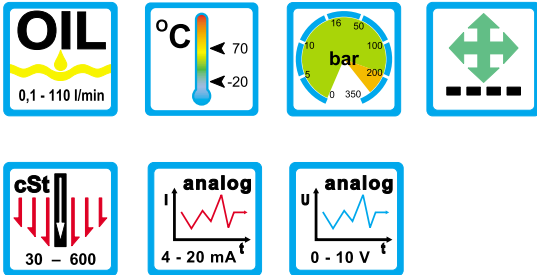


Flowmeter with analog output

DKM/TA



Range of Application

Operation

- Float measuring principle

Application

- Central lubrication
- Circulation lubrication
- Transformers

Features

- Universal orientation
- Analog output (4 - 20 mA / 0 - 10 V)
- High electromagnetic compatibility
- Zero and span of the measuring range separately adjustable (2 potentiometer)
- Viscosity compensated
- High pressure resistance
- Threaded connection, special threads on request

Installation hints

- The operating instruction for DKM/TA must be observed!
- Download: www.meister-flow.com

Betriebsdaten

Operating pressure max.	250 bar (brass) 300 bar (stainless steel)
Pressure drop	0,02 - 0,4 bar
Viscosity range	30 cSt bis 600 cSt
Maximum temperature	70 °C
Linearity error	≤ 10 % of full scale

Measuring Ranges

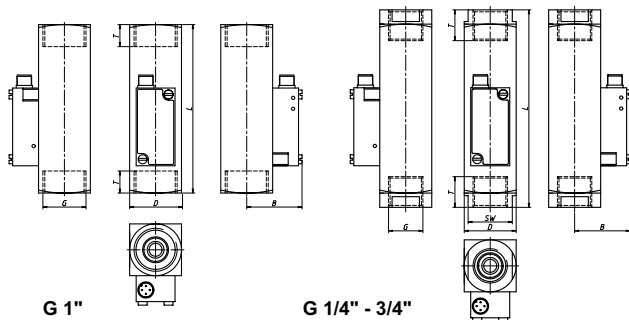
Type	Measuring range for oil, density 0,9 kg/dm ³		
	[l/min]	[gph]	[gpm]
DKM/TA-1/2	0,5 - 1,5	8,0 - 24,0	
DKM/TA-1/4	1 - 4	16,0 - 63,0	
DKM/TA-1/8	2 - 8	32,0 - 127,0	
DKM/TA-1/10	3 - 10	48,0 - 160,0	
DKM/TA-1/15	5 - 15	80,0 - 240,0	
DKM/TA-1/24	8 - 24	125,0 - 380,0	
DKM/TA-1/30	10 - 30	160,0 - 480,0	
DKM/TA-1/45	15 - 45	240,0 - 710,0	
DKM/TA-1/60	20 - 60	320,0 - 950,0	
DKM/TA-1/90	30 - 90		8,0 - 24,0
DKM/TA-1/110	35 - 110		9,5 - 29,0

DKM/TA 0002 12-08 E M

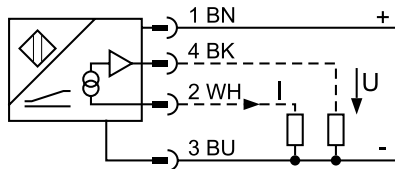


Technical data

Mechanical drawing



Connection diagram



Summary of types

Type:	Overall dimensions [mm]							Weight approx. [g]
	SW	D	B	G	DN	T	L	
DKM/TA-1/2	34			1/4"	8	21	152	1500
DKM/TA-1/4	34	40	42	1/2"	15	21	152	1425
	40			3/4"	20	21	152	1340
				1"	25	17	130	1160
DKM/TA-1/8				1/2"	15	21	152	1425
DKM/TA-1/10	34	40	42	3/4"	20	21	152	1340
DKM/TA-1/15	40			1"	25	17	130	1160
DKM/TA-1/24								
DKM/TA-1/30				3/4"	20	21	152	1340
DKM/TA-1/45	34	40	42	1"	25	17	130	1160
DKM/TA-1/60	40							
DKM/TA-1/90				1"	25	17	130	1160
DKM/TA-1/110	40	40	42					

Technical data

Measuring range [A...B]:	10...50 mm (adjustable by 2 potentiometers)
Repeatability:	≤ 0,5 % of range [A...B] (≤ depending on positioner)
Linearity error:	≤ 10 % of full scale of the flowmeter

Technical data

Temperature drift:	≤ ± 0,09 % / K
Operating temperature:	-20 °C...+70 °C
Operating voltage U_B :	15...30 VDC
Residual ripple:	≤ 10 % U_{SS}
No-load current I_0 :	≤ 23 mA
Design breakdown voltage:	≤ 0,5 kV
Output function:	four wire, analog output
Short-circuit protection:	yes
Wire rupture safety / polarity reversal protection:	yes / complete
Analog output (voltage):	0...10 V
Analog output (current):	4...20 mA
Load resistance voltage output:	≥ 4,7 kΩ
Load resistance current output:	≤ 0,4 kΩ
Measuring frequency:	800 Hz
Recovery time at output:	≤ 12 ms
Housing material:	Plastic, PBT-GF20-V0
Connection:	Plug, M12 x 1
Vibration stability:	55 Hz (1 mm)
Shock resistance:	30 x g (11 ms)
Ingress protection:	IP 67

Materials

Brass version

wetted parts:

Spring:	1.4571
Gaskets:	FKM (optional NBR, EPDM) ⁽³⁾
Magnets:	Hard ferrite
Housing:	Brass nickel-plated

all other wetted parts: Brass

Stainless steel version

wetted parts:

Spring:	1.4571
Gaskets:	FKM (optional NBR, EPDM) ⁽³⁾
Magnets:	Hard ferrite
Housing:	1.4571

all other wetted parts: 1.4571

⁽³⁾ Other gasket materials on request

