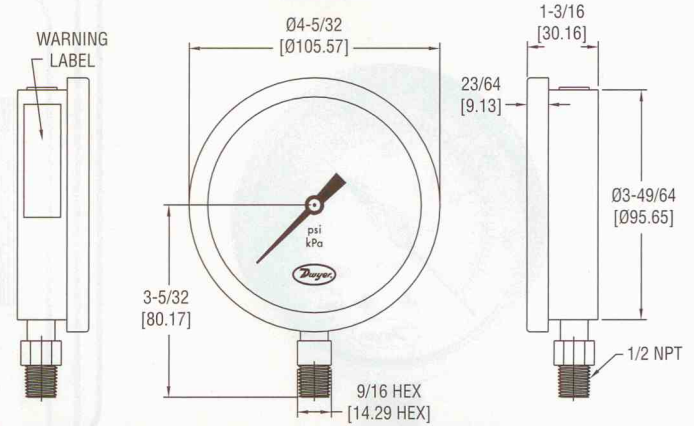
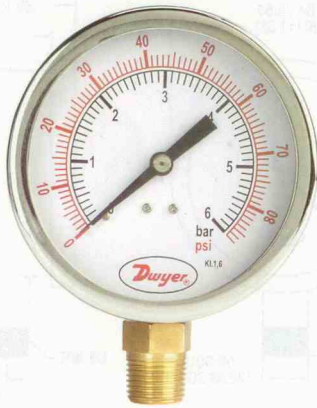


Series  
SGS

# 4" Stainless Steel Pressure Gauge

1.6% Full Scale Accuracy, Brass Wetted Parts, Dry or Glycerin Filled



The Series SGS Gauges have dual English/metric scales with  $\pm 1.6\%$  full scale accuracy. Series SGS gauges are designed with 304 stainless steel housings and brass wetted parts. Units can withstand ambient temperatures up to  $65^{\circ}\text{C}$  and process temperatures up to  $125^{\circ}\text{C}$ . These gauges may be easily liquid filled in the field without the need for a separate kit. A wide selection of ranges are available from full vacuum, compound to 140,000 kPa.

## SPECIFICATIONS

**Service:** Compatible gases and liquids.

**Wetted Materials:** Brass for ranges 7,000 kPa; 316L stainless steel for ranges greater than 7,000 kPa.

**Housing:** 304 stainless steel.

**Accuracy:**  $\pm 1.6\%$  full scale.

**Pressure Limits:** 125% of full scale for ranges up to 10,000 kPa; 115% for 10,000 kPa and greater.

**Temperature Limits:**

Ambient:  $-20$  to  $65^{\circ}\text{C}$ ;

Process:  $65^{\circ}\text{C}$  max. - Filled;

$125^{\circ}\text{C}$  max. - Dry.

**Size:** 4" (100 mm).

**Process Connection:** 1/2" male BSP.

**Enclosure Rating:** IP55.

**Weight:** 0.49 kg.

## APPLICATIONS

Pneumatics, Hydraulics, Pumps, Compressors, Diesel Engines.

## MODEL CHART

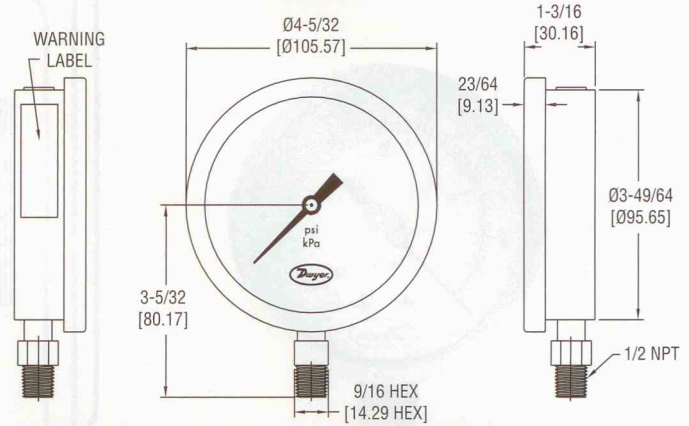
Model Number	Ranges	Model Number	Ranges
SGS-F0124B	-100 to 0 kPa (0 to 30" Hg VAC)	SGS-F1624B	0 to 25,000 kPa (0 to 3,500 psi)
SGS-F0224B	0 to 100 kPa (0 to 15 psi)	SGS-F1724B	0 to 40,000 kPa (0 to 6,000 psi)
SGS-F0324B	0 to 160 kPa (0 to 20 psi)	SGS-F1824B	0 to 60,000 kPa (0 to 8,000 psi)
SGS-F0424B	0 to 250 kPa (0 to 35 psi)	SGS-F1924B	0 to 80,000 kPa (0 to 11,000 psi)
SGS-F0524B	0 to 400 kPa (0 to 60 psi)	SGS-F2024B	0 to 100,000 kPa (0 to 15,000 psi)
SGS-F0624B	0 to 600 kPa (0 to 80 psi)	SGS-F2124B	-100 to 100 kPa (30" Hg to 15 psi)
SGS-F0724B	0 to 800 kPa (0 to 110 psi)	SGS-F2224B	-100 to 160 kPa (30" Hg to 20 psi)
SGS-F0824B	0 to 1,000 kPa (0 to 150 psi)	SGS-F2324B	-100 to 250 kPa (30" Hg to 35 psi)
SGS-F0924B	0 to 1,600 kPa (0 to 230 psi)	SGS-F2424B	-100 to 400 kPa (30" Hg to 60 psi)
SGS-F1024B	0 to 2,500 kPa (0 to 350 psi)	SGS-F2524B	-100 to 1,000 kPa (30" Hg to 150 psi)
SGS-F1124B	0 to 4,000 kPa (0 to 600 psi)	SGS-F2624B	-100 to 1,600 kPa (30" Hg to 230 psi)
SGS-F1224B	0 to 6,000 kPa (0 to 800 psi)	SGS-F2724B	-100 to 2,500 kPa (30" Hg to 350 psi)
SGS-F1324B	0 to 8,000 kPa (0 to 1,100 psi)	SGS-F2824B	-100 to 14,000 kPa (30" Hg to 2,000 psi)
SGS-F1424B	0 to 10,000 kPa (0 to 1,500 psi)		
SGS-F1524B	0 to 16,000 kPa (0 to 2,300 psi)		

\* Suffix -PY for Liquid Filled

Series  
SGS

# 4" Stainless Steel Pressure Gauge

1.6% Full Scale Accuracy, Brass Wetted Parts, Dry or Glycerin Filled



The Series SGS Gauges have dual English/metric scales with  $\pm 1.6\%$  full scale accuracy. Series SGS gauges are designed with 304 stainless steel housings and brass wetted parts. Units can withstand ambient temperatures up to  $65^{\circ}\text{C}$  and process temperatures up to  $125^{\circ}\text{C}$ . These gauges may be easily liquid filled in the field without the need for a separate kit. A wide selection of ranges are available from full vacuum, compound to 140,000 kPa.

## SPECIFICATIONS

**Service:** Compatible gases and liquids.

**Wetted Materials:** Brass for ranges 7,000 kPa; 316L stainless steel for ranges greater than 7,000 kPa.

**Housing:** 304 stainless steel.

**Accuracy:**  $\pm 1.6\%$  full scale.

**Pressure Limits:** 125% of full scale for ranges up to 10,000 kPa; 115% for 10,000 kPa and greater.

**Temperature Limits:**

Ambient:  $-20$  to  $65^{\circ}\text{C}$ ;

Process:  $65^{\circ}\text{C}$  max. - Filled;

$125^{\circ}\text{C}$  max. - Dry.

**Size:** 4" (100 mm).

**Process Connection:** 1/2" male BSP.

**Enclosure Rating:** IP55.

**Weight:** 0.49 kg.

## APPLICATIONS

Pneumatics, Hydraulics, Pumps, Compressors, Diesel Engines.

## MODEL CHART

Model Number	Ranges	Model Number	Ranges
SGS-F0124B	-100 to 0 kPa (0 to 30" Hg VAC)	SGS-F1624B	0 to 25,000 kPa (0 to 3,500 psi)
SGS-F0224B	0 to 100 kPa (0 to 15 psi)	SGS-F1724B	0 to 40,000 kPa (0 to 6,000 psi)
SGS-F0324B	0 to 160 kPa (0 to 20 psi)	SGS-F1824B	0 to 60,000 kPa (0 to 8,000 psi)
SGS-F0424B	0 to 250 kPa (0 to 35 psi)	SGS-F1924B	0 to 80,000 kPa (0 to 11,000 psi)
SGS-F0524B	0 to 400 kPa (0 to 60 psi)	SGS-F2024B	0 to 100,000 kPa (0 to 15,000 psi)
SGS-F0624B	0 to 600 kPa (0 to 80 psi)	SGS-F2124B	-100 to 100 kPa (30" Hg to 15 psi)
SGS-F0724B	0 to 800 kPa (0 to 110 psi)	SGS-F2224B	-100 to 160 kPa (30" Hg to 20 psi)
SGS-F0824B	0 to 1,000 kPa (0 to 150 psi)	SGS-F2324B	-100 to 250 kPa (30" Hg to 35 psi)
SGS-F0924B	0 to 1,600 kPa (0 to 230 psi)	SGS-F2424B	-100 to 400 kPa (30" Hg to 60 psi)
SGS-F1024B	0 to 2,500 kPa (0 to 350 psi)	SGS-F2524B	-100 to 1,000 kPa (30" Hg to 150 psi)
SGS-F1124B	0 to 4,000 kPa (0 to 600 psi)	SGS-F2624B	-100 to 1,600 kPa (30" Hg to 230 psi)
SGS-F1224B	0 to 6,000 kPa (0 to 800 psi)	SGS-F2724B	-100 to 2,500 kPa (30" Hg to 350 psi)
SGS-F1324B	0 to 8,000 kPa (0 to 1,100 psi)	SGS-F2824B	-100 to 14,000 kPa (30" Hg to 2,000 psi)
SGS-F1424B	0 to 10,000 kPa (0 to 1,500 psi)		
SGS-F1524B	0 to 16,000 kPa (0 to 2,300 psi)		

\* Suffix -PY for Liquid Filled