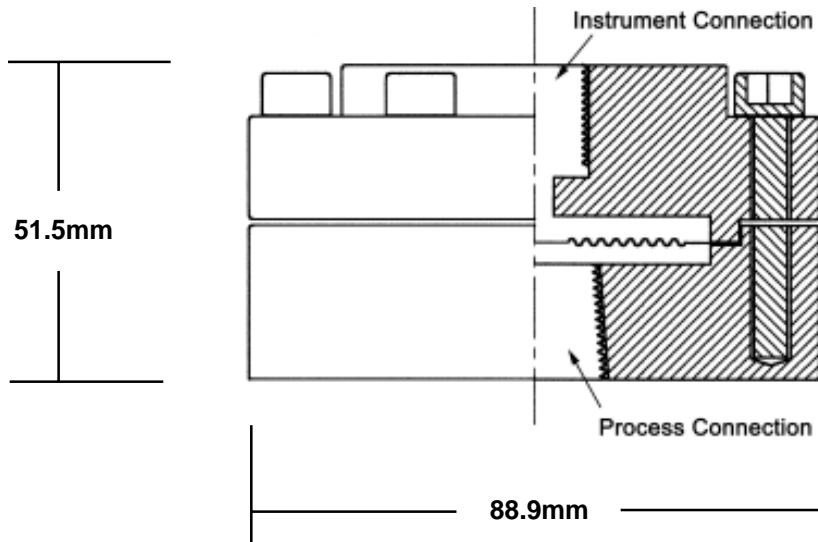


AT DIAPHRAGM SEALS

GENERAL PURPOSE 2 PIECE BOLTED

Model/Type: ADS-101A



Model No.	Type	Process Connection	Instrument Connection	Diaphragm Diameter
ADS101A/1		1/2" NPT-F	3/8" BSPP	55mm
ADS101A/2		1/2" NPT-F	1/2" NPT	55mm
ADS101A/3		1/2" NPT-M	3/8" BSPP	55mm
ADS101A/4		1/2" BSPT-M	3/8" BSPP	55mm
ADS101A/5		1/2" NPT-M	3/8" BSPP	55mm
ADS101A/6		1/2" BSPT-M	1/2" NPT	55mm

Technical Specifications

- Top Chamber: 316 stainless steel
- Bottom Chamber: 316 stainless steel (standard) or PVC or Teflon
- Diaphragm: 316 stainless steel. Option: Teflon coating
- Pressure Rating: All stainless steel - 10,000 kPa
PVC bottom chamber - 1,600 kPa
Teflon bottom chamber - 1,000kPa
- Fitted with a filling plug for correct calibration after vacuum evacuation
- Minimum Range: 100 kPa
- Standard "fill" fluid non-toxic silicon oil, Dow Corning 200 Fluid 100CS